



The
Awake
Experience



VERAMAR

WE TAKE TOYS SERIOUSLY



Stay Awake

Awake is at the forefront of water sports with our cutting-edge line of electric surfboards. Our RÄVIK Jetboards and VINGA eFoils are designed and developed in Scandinavia

RÄVIK Explore

- > Beginner friendly
- > Effortless
- > Durable

AWAKE
WE TAKE TOYS SERIOUSLY



RÄVIK Explore XR

The Easiest Jetboard to Master

Designed for effortless riding, the RÄVIK Explore offers unmatched stability and a heavy weight capacity, making it suitable for beginners, heavier or young users, and anyone seeking the excitement of electric surfing. Its intuitive design ensures accessibility for everyone.

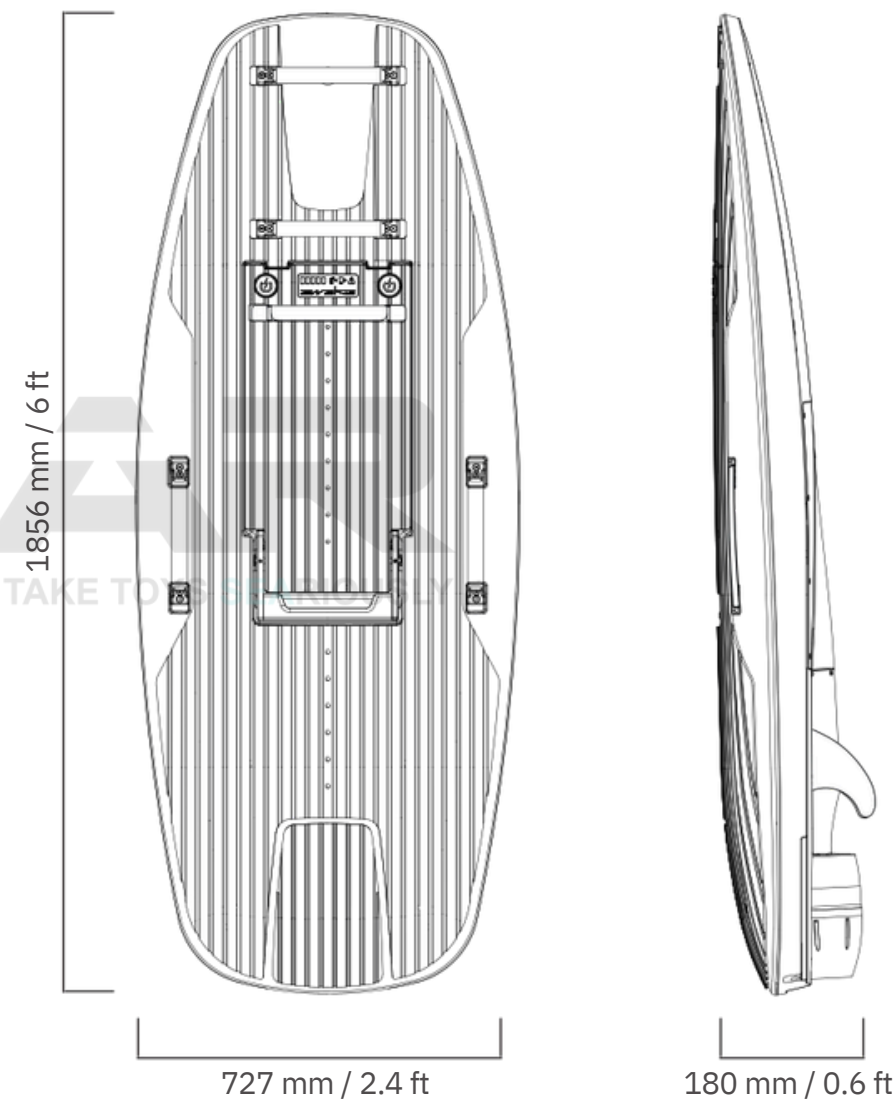


Price: 9.990,00 €

**Prices excl. Shipping & VAT.*

RÄVIK Explore - Specifications

Top speed:	Up to 40 kph / 25 mph
Weight:	21 kg / 46 lb*
Riding time (XR 4):	Up to 60 min
Hull shape:	W-Shape, Small Rocker, Wide Tail
Dimensions:	186 x 73 x 18 cm / 6 x 2.4 x 0.6 ft
Volume:	121 Liters



*Weight excluding battery pack

RÄVIK Explore

Effortless Operation for Riders

The RÄVIK Explore is created for convenience, featuring extra handles and a lightweight build for easy setup, use, and storage.

With its low-maintenance design, it reduces the time and effort required for upkeep, giving owners peace of mind and more time on the water.



RÄVIK Adventure

- > Elegant
- > Adaptable
- > Dynamic



RÄVIK Adventure XR

Redefining the Jetboard

With enhanced performance, a sleek new design, and a lighter battery, the updated RÄVIK Adventure is your companion for exciting experiences on the water. Suitable for personal enjoyment or as a luxury water toy aboard yachts, it delivers an unmatched blend of excitement and sophistication.



Price: 13.990,00 €

**Prices excl. Shipping & VAT.*

RÄVIK Adventure

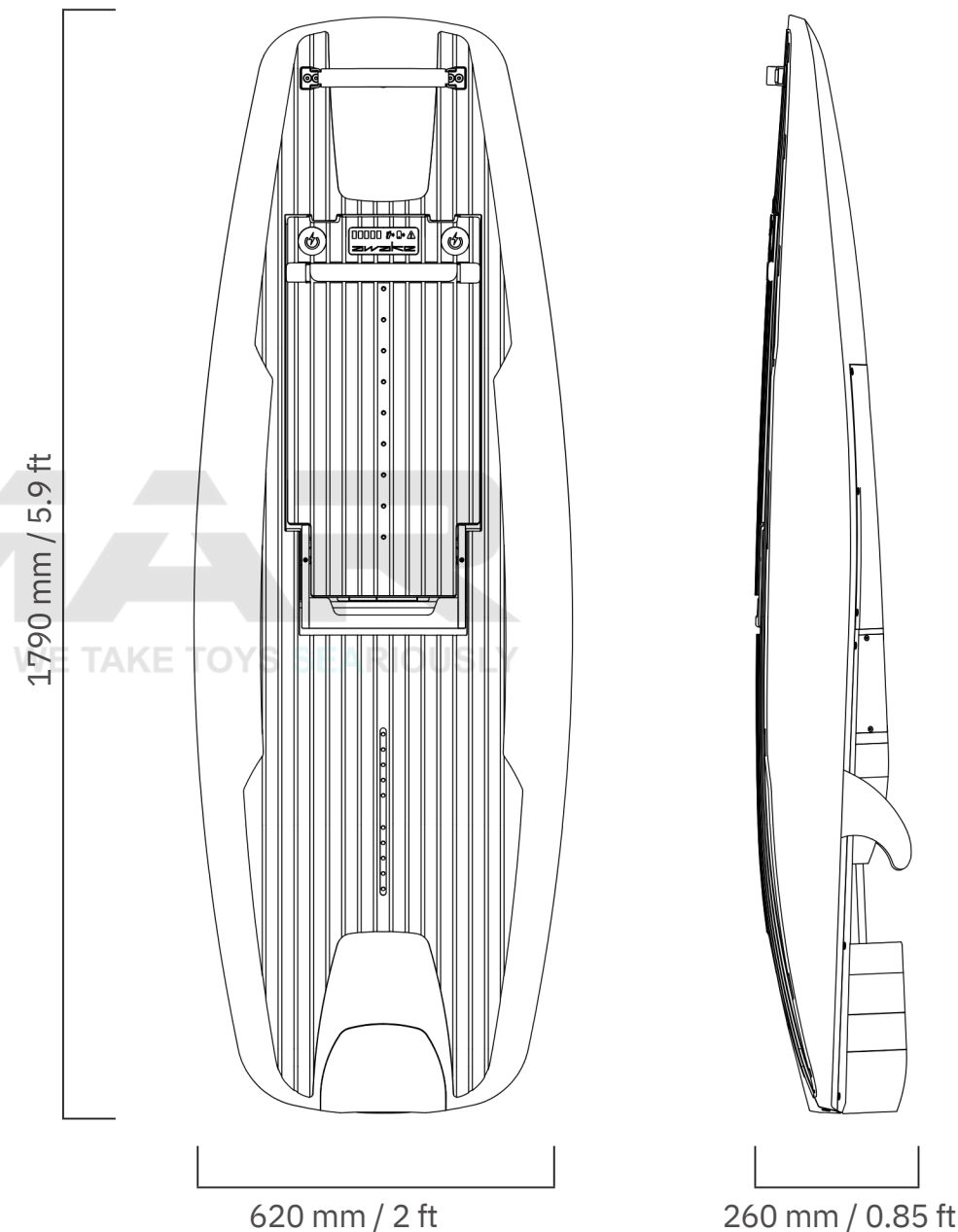
An Adventure in Performance

The RÄVIK Adventure takes the riding experience to the next level, offering a noticeable upgrade over the RÄVIK 3 and a higher performance than the RÄVIK Explore. Tailored for any rider, it's designed to give you the ability to cruise, carve and push beyond conventional watersports. Every ride is an extraordinary experience.



RÄVIK Adventure - Specifications

Top speed:	Up to 55 kph / 34 mph
Weight:	23 kg / 50 lb*
Riding time (XR 4):	Up to 45 min
Hull shape:	V Shaped, Medium rocker, Standard Tail
Dimensions (L/W/B):	179 x 62 x 26 cm / 5.9 x 2 x 0.85 ft
Volume:	71 Liters



*Weight excluding battery pack

RÄVIK Adventure

Redefined Design

Lightweight Design for Portability. The improved battery system not only enhances portability but also ensures the board is easy to handle without compromising ride time. The result?

A high-performance jetboard that's as practical as it is exciting.

RÄVIK
RÄVIK - Adventure

SEANOUSLY

RÄVIK Ultimate

- > Fast
- > Agile
- > Lightweight

DERÄVMÄR
 MAKE TOYS SERIOUSLY



RÄVIK Ultimate XR

The Pinnacle of Jetboard Performance

The RÄVIK Ultimate is the apex of jetboard innovation, designed for advanced riders who demand unmatched speed, precision, and power. With enhanced performance capabilities and a sleek black design featuring exposed carbon fiber, this board commands attention on and off the water.



Price: 15.990,00 €

**Prices excl. Shipping & VAT.*

RÄVIK Ultimate - Specifications

Top speed: Up to 55 kph / 34 mph

Weight: 16 kg / 35 lb

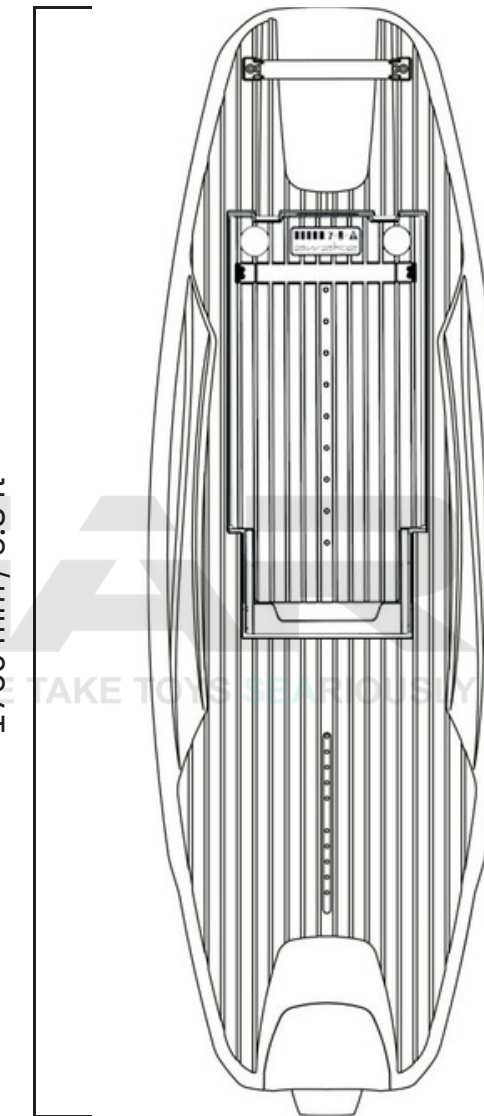
Riding time (XR 4): Up to 35 min

Hull shape: W-Shape, High Rocker, Slim Tail

Dimensions (L/W/B): 176 x 58 x 18 cm / 5.8 x 1.9 x 0.6 ft

Volume: 51 Liters

1760 mm / 5.8 ft



580 mm / 1.9 ft



180 mm / 0.6 ft

*Weight excluding battery pack

RÄVIK Ultimate - Features and upgrades

Precision Redefined

Improved maneuverability and razor-sharp handling make every turn effortless and every ride exhilarating. Whether carving through waves or racing to victory, the RÄVIK Ultimate gives riders the confidence to push their limits.



RÄVIK Ultimate

AWAKE ELECTRIC JETBOARDS & FOILS



Unique Build

Unleash unparalleled acceleration and agility with the RÄVIK Ultimate. Engineered for competitive jetboard racing and high-speed watersports action, it delivers the power and control needed to dominate any conditions.

BRABUS x Awake

1 OF 77

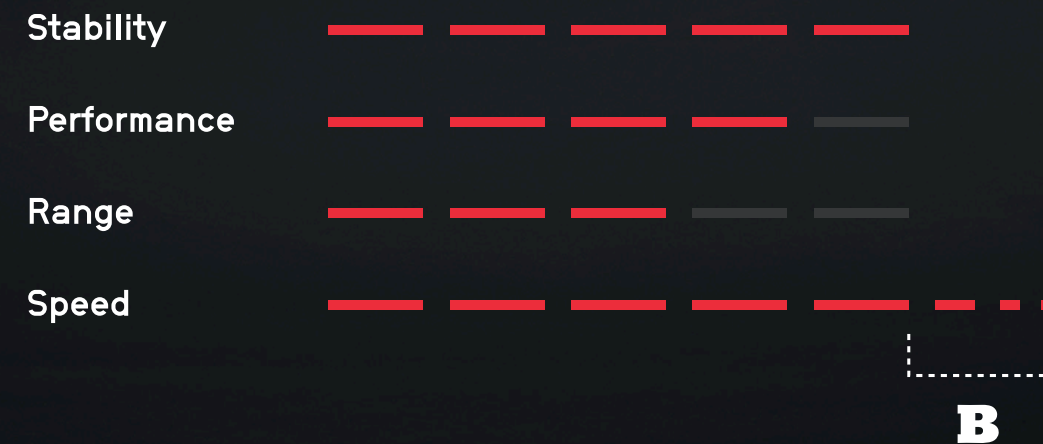
Designed for those who seek excitement at full speed, this exclusive collaboration blends an unmistakable BRABUS aesthetic with cutting-edge technology for an unrivaled experience on the water.



BRABUS x Awake SHADOW EXPLORE

BRABUS
x
awake
ONE OF 77
SHADOW EXPLORE
LIMITED EDITION

Top speed: Up to 55 kph / 25 mph
 Weight: 21 kg / 46 lb
 Riding time (XR 4): Up to 60 min
 Dimensions (L/W/B): 186 x 73 x 18 cm / 6 x 2.4 x 0.6 ft
 Volume: 121 Liters



Price: 15.900,00 €

*Prices excl. Shipping & VAT.

NINGA Adventure



- > Effortless
- > Balanced
- > Long Range

VINGA Adventure XR

Easy eFoiling

No matter your skill level, the VINGA Adventure ensures a stable and intuitive ride. With its advanced stability features, even first-time riders can get up and glide effortlessly.

The board's design provides exceptional balance, allowing you to stay in control from the moment you hit the water, making it ideal for riders of all experience levels.



Price: 13.990,00 €

**Prices excl. Shipping & VAT.*

vinga Adventure

Cruise Wing 1600

The cruise wing provide effortless riding and stability due its high aspect ratio and wide wing span. Suitable for beginners, it offers gentle maneuverability and a forgiving ride, allowing you to make smooth turns with confidence.

The wing provides impressive glide, with its ability to help you plane, it provides a smooth and controlled experience, making each ride feel natural and enjoyable.

AWAKE
WE TAKE TOYS



VINGA Adventure - Features and upgrades

Accessible eFoil

The VINGA Adventure combines safety, performance, and accessibility, making it a suitable choice for those looking to explore the water with confidence and ease. Whether you're a beginner or an experienced rider, this eFoil delivers an unforgettable journey above the water.



VINGA Adventure - Specifications

Top speed: Weight: Up to 55 kph / 34 mph

Riding time (LR 4): Riding 18 kg / 39 lb*

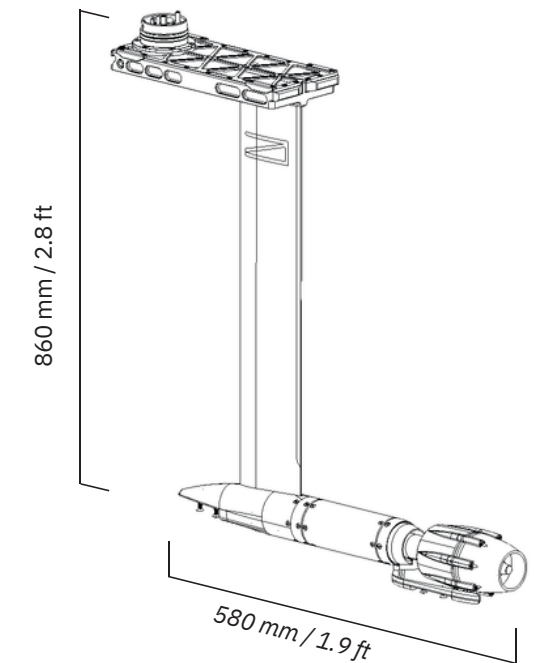
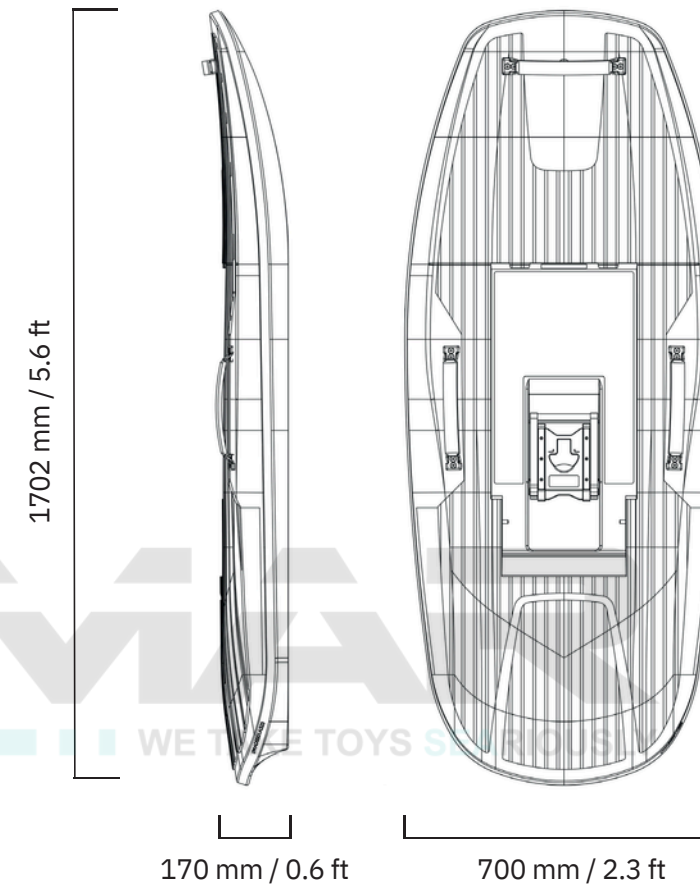
time (XR 4): Mast height: Up to 60 min

Hull dimensions (L/W/B): Up to 120 min

Volume: 80 cm

170 x 70 x 17 cm / 5.6 x 2.3 x 0.6 ft

95 Liters



*Weight excluding battery pack

Awake Click-To-Ride

Easy and Safe assembly

No screws or cables to connect. Slide the board on top of the drive train, insert the battery and secure the connection with the locking handle.



VINGA Ultimate

- > Exciting
- > Agile
- > Unleashed



WE TAKE TOYS SERIOUSLY

VINGA Ultimate XR/LR

Unmatched Maneuverability

Engineered for precision, the VINGA Ultimate offers razor-sharp control and seamless turns, making it the ideal choice for riders who want to push the limits of eFoiling.



**Prices excl. Shipping & VAT.*

XR Price: 14.990,00 €

LR Price: 13.990,00 €

Discover the unattainable

Take your riding to uncharted territory. With a lightweight design and fast assembly you can venture even further into nature.

PERFORMER
WE TAKE TOYS SERIOUSLY

VINGA Ultimate

Action-Packed Excitement

Experience the rush of high-performance eFoiling with exceptional speed and power that turns every session into an adrenaline-filled adventure. Designed with advanced technology and sleek styling, this eFoil delivers an electrifying ride that sets new standards on the water.



VINGA Ultimate- Specifications

Top speed: Weight: Up to 55 kph / 34 mph

Riding time (LR 4): Riding 17 kg / 37 lb*

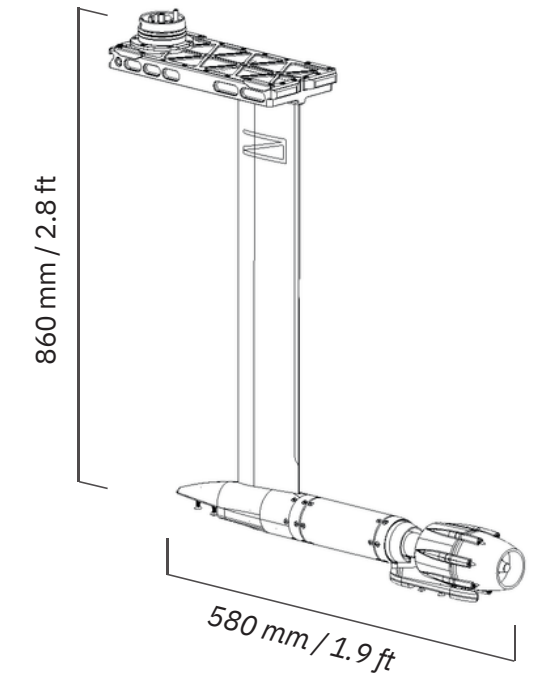
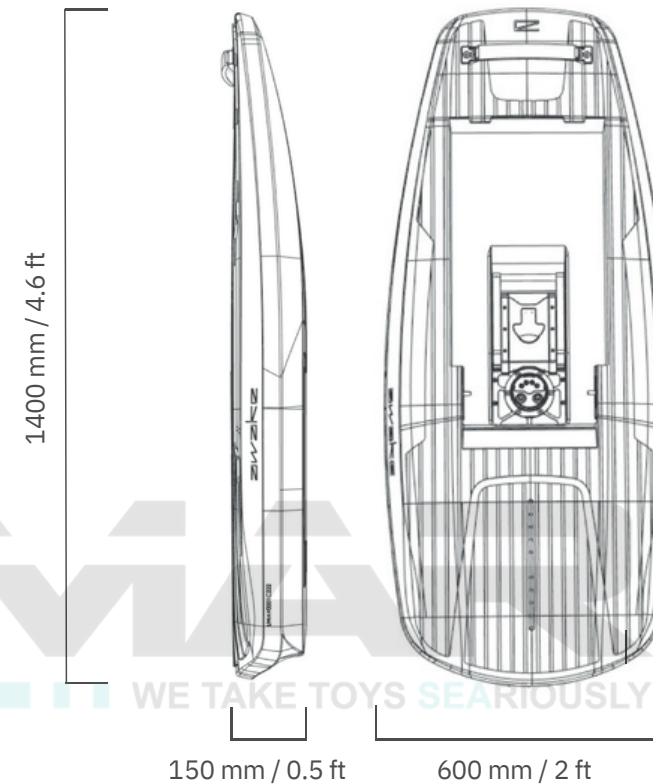
time (XR 4): Mast height: Up to 60 min

Hull dimensions (L/W/B): Up to 120 min

Volume: 80 cm

140 x 60 x 15 cm / 4.6 x 2 x 0.5 ft

60 Liters



*Weight excluding battery pack

Awake Flex Hand Controller 4

- > Wide color display
- > Ergonomic Smooth
- > Throttle Control



Bag and charger included

**Prices excl. Shipping & VAT.*

Price: 590,00 €

Awake Flex Hand Controller 4 - Specifications



Awake Flex Hand Controller 4

Next generation control

With a large color display and menu navigation buttons, the Flex Hand Controller 4 is the only thing needed to take full control over your ride.



WE RAIN WE TAKE TO THE SEA

Awake Flex Battery LR 4

- > Optimized for eFoil
- > Lightest battery
- > Safe and durable



Weight: 12.1 kg / 26.7 lb

Energy: 1,29 kWh

Capacity: 15 Ah

Charger included in board package

**Prices excl. Shipping & VAT.*

Price: 2.990,00 €

Awake Flex Battery XR 4

- > Light
- > Extended Range
- > Safe and Durable

Weight: 18,5 kg / 40.8 lb

Energy: 2,6 kWh

Capacity: 30 Ah



Charger included in board package

**Prices excl. Shipping & VAT.*

Price: 4.990,00 €

Accessories



PERÄMÄR
WE TAKE TOYS SERIOUSLY

Accessories

Battery Charger- XR / SR, LR 4 / XR 4

Price: 900 €



Controller- *Throttle and acceleration*

Price: 590 €



Carbon Fins - RÄVIK

Price: 290 €



Controller Charger- *Induction*

Price: 200 €



Power Key Leash - RÄVIK

Price: 190 €



Foot Straps - RÄVIK and VINGA

Price: 300 €



**Prices excl. Shipping & VAT.*

Accessories

Awake Life Vest - ISO 50N

Price: 290 €



Battery Back Pack - All Flex Batteries

Price: 120 €



Wetsuit- Full suits, jackets and tops

- Price: 390 €** Awake Wetsuit
- Price: 190 €** Awake Lady's Neo Suit
- Price: 190 €** Awake Neo Jacket



Awake Beach Mat- Protective carpet

Price: 190 €



VINGA Wings- Powder, Fluid and Cruise

- Price: 990 €** Awake Powder Wing Kit
- Price: 990 €** Awake Fluid Wing Kit



Wall Mount- Including screws

Price: 900 €



*Prices excl. Shipping & VAT.

Peripherals

Complete your gear with reliable performance wear, designed for optimal buoyancy and unrestricted movement. Built for both beginners and pros, these essentials make every aquatic activity safer and more enjoyable.



Accessories

Awake Tube- RÄVIK



Price: 590,00 €

Including pump and repair kit

**Prices excl. Shipping & VAT.*

Awake Dock - RÄVIK and VINGA



Price: 2.400,00 €

Including pump and repair kit

Accessories

Awake eFoil Board Stand- *VINGA*

Price: 490,00 €



Awake RÄVIK Board Stand- *Vertical*

Price: 490,00 €



Awake Jetboard Stand- *Horizontal*

Price: 490,00 €



**Prices excl. Shipping & VAT.*

STAY AWAKE





DERAMAR
■ ■ WE TAKE TOYS SERIOUSLY



+30 2108070775



info@deramar.com



48, Peiraios, Moschato 18346, Athens, Greece



www.deramar.com